

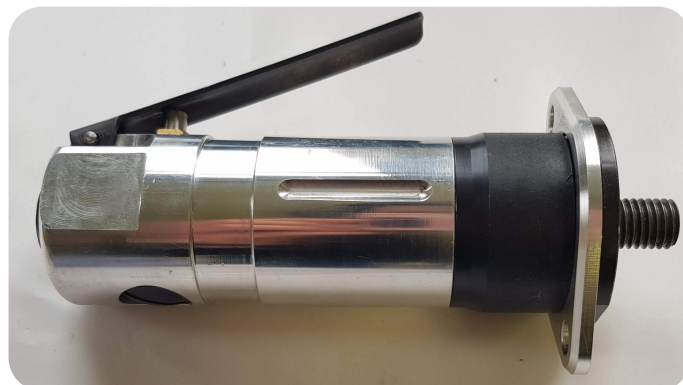
# Grange Square Ltd

## Air Motor Technical Data Sheet

Motor Model:

# 36ML-4000C

Low torque, high speed Air Motor with  
1 stage valve,



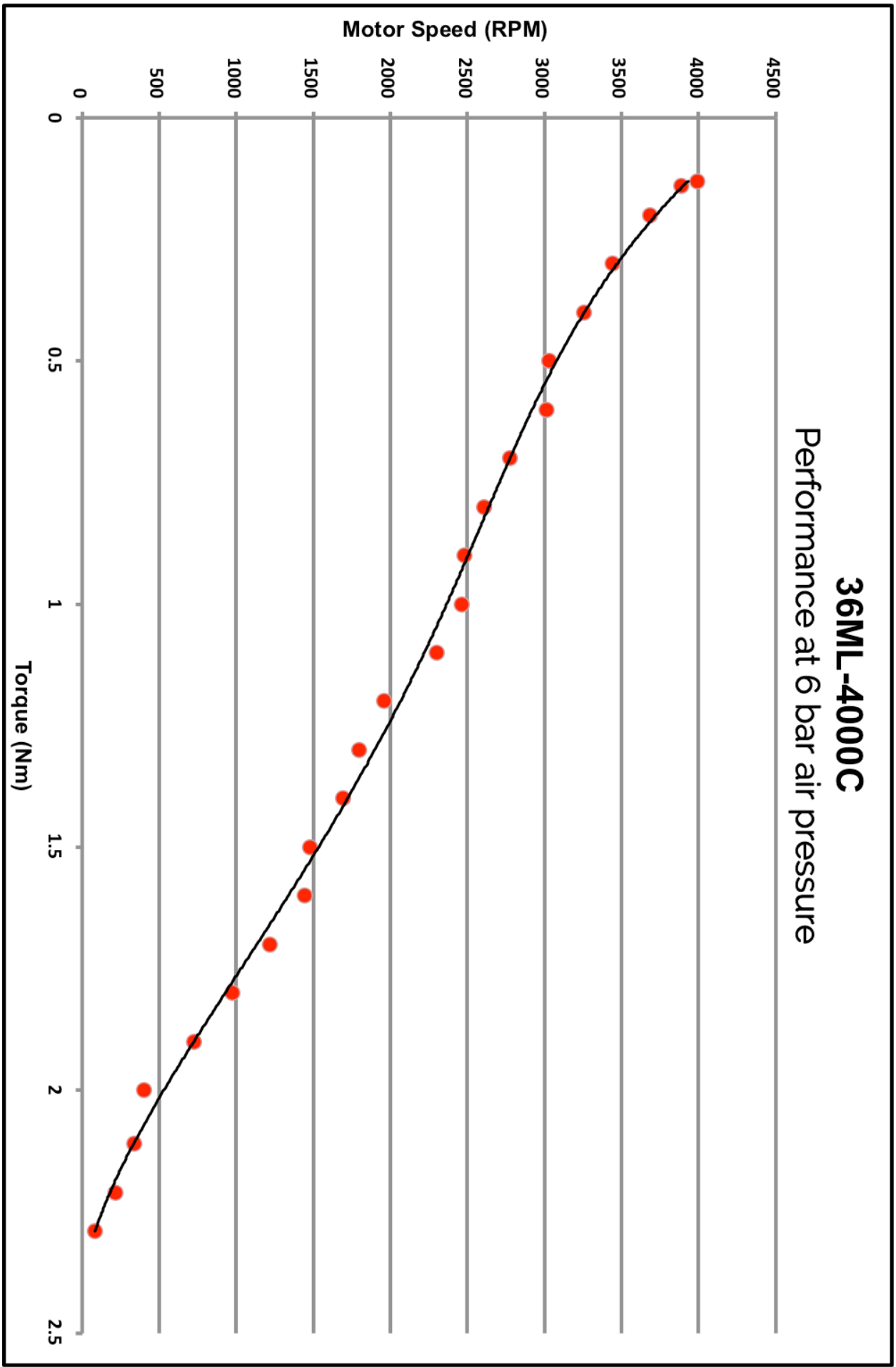
### Technical Data

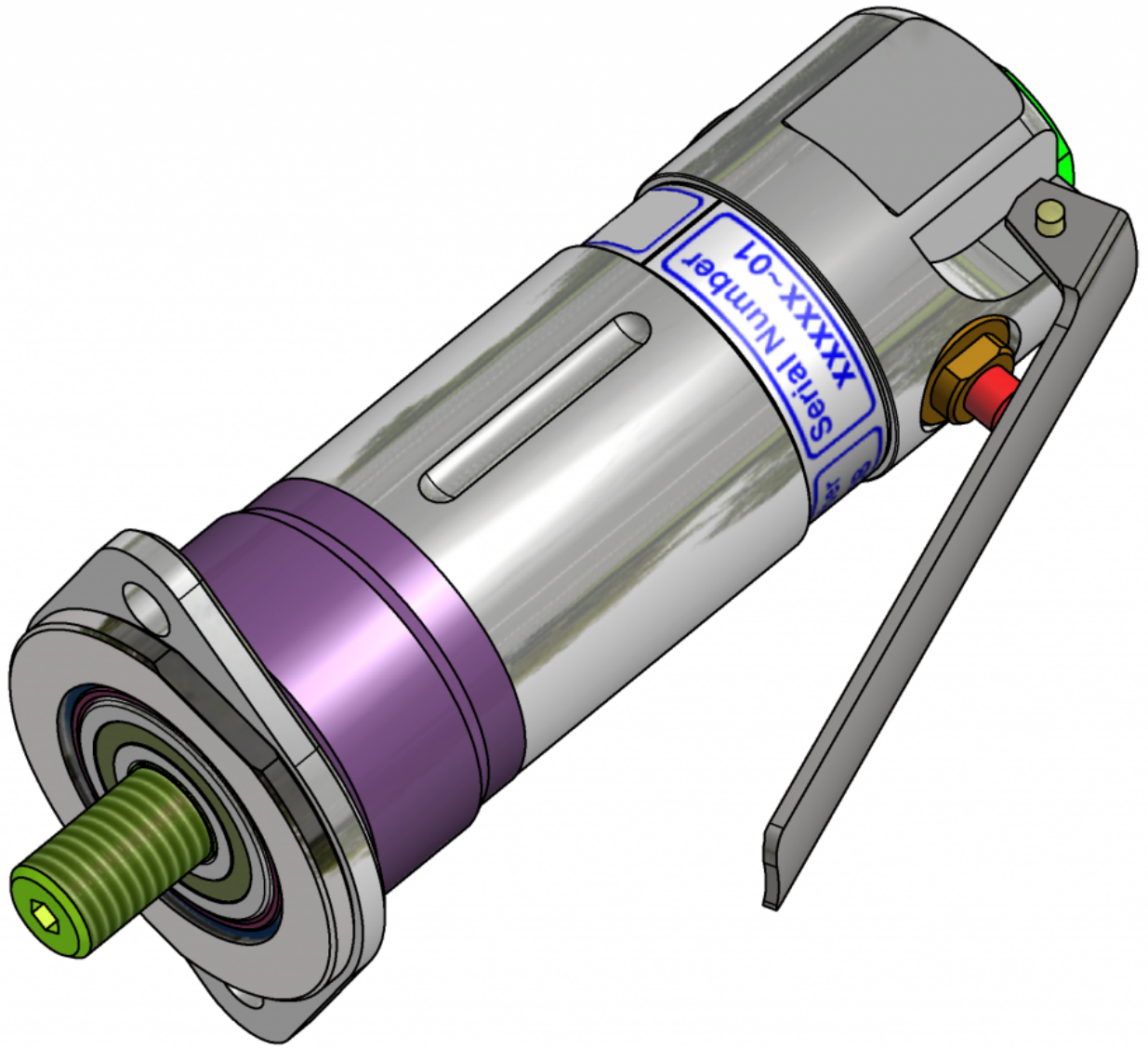
Power	0.33hp/0.25kW
No Load Speed	4100 RPM
Nominal Speed Range	2000-4000 RPM
Stall Torque	2.2Nm
Nominal Torque Range	0.2 - 1Nm
Direction of Rotation	Clockwise
Lubricated Operation?	Lube & Non-Lube available
Operation	1 Stage Valve by lever
Air Input	1/4" BSP
Aux Air Port	Available by request
Exhaust Direction	Front
Mounting Detail	2 hole rotatable flange
Weight	708 grams
Body Diameter	40mm
Length	145mm
Default Construction	Aluminium with steel details.
Stainless Steel Components?	Custom components available
Output Shaft	M12 thread shaft with 4mm internal hex
Features	Low torque range with high operating speeds,
Optional extras	Bespoke output shaft, 2 stage valve, auxiliary port & speed control, leverless operation, anti-clockwise or reversible.

All data relative to 6 bar working pressure

# 36ML-4000C

Performance at 6 bar air pressure







Grange Square Ltd, Birmingham, UK  
+44 (0) 1675 481 661

[www.grangesquare.co.uk](http://www.grangesquare.co.uk)  
[miles@grangesquare.co.uk](mailto:miles@grangesquare.co.uk)